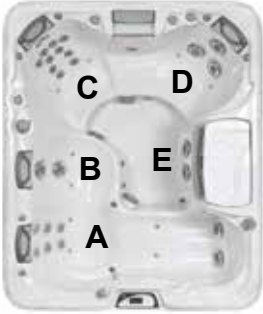


# 2014 Sundance Spas 880 Marin

## Specifications

<b>Dimensions:</b> .....	75" x 91" x 33" (190.5 cm x 231 cm x 84 cm)	
<b>Seating Capacity:</b> .....	4-5 Adults	
<b>Dry Weight:</b> .....	776 lbs (352 kg)	
<b>Filled Weight (Spa Volume):</b> .....	4,237 lbs (1,922 kg)	
<b>Filled Weight (Average Fill):</b> .....	3,403 lbs (1,544 kg)	
<b>Water Capacity (Spa Volume):</b> .....	415 US Gal (1,571 Liters)	
<b>Water Capacity (Average Fill):</b> .....	315 US Gal (1,192 Liters)	
<b>Controls:</b> .....	880 Series Solid State, LCD User Interface Displays Temperature, Time, Cycles and Fingertip Jet/Air System Control. Offers Customizing of Preprogrammed Filtration Cycles and Water Temperature Setting	
<b>Water Delivery:</b> .....	2 TheraMax High-Flow Pumps and 8-Hour Dynamic Flow Circulation System	
<b>Pump 1:</b> .....	North America (60 Hz): 1-Speed/2.5 HP Continuous, 11.3A Max., 56 Frame <b>Export (50 Hz): 1-Speed/2.0 HP Continuous, 7.0A Max.</b>	
<b>Pump 2:</b> .....	North America (60 Hz): 1-Speed/2.5 HP Continuous, 11.3A Max., 56 Frame <b>Export (50 Hz): 1-Speed/2.0 HP Continuous, 7.0A Max.</b>	
<b>Pump 3:</b> .....	High Output Dynamic Flow, 8-Hour Filter/Circulation Pump (35 gpm) Programmable for Daily Start Time and Duration	
<b>Total Hydrojets:</b> .....	<b>33</b>	
<b>Seat A Jets:</b> .....	6 Fluidix Reflex, 2 Fluidix Intelli-Jet, 2 Pulsator, 2 Focus-Relief	
<b>Seat B Jets:</b> .....	1 Fluidix Intelli-Jet, 1 Vortex, 2 Accu-Pressure	
<b>Seat C Jets:</b> .....	10 Fluidix ST, 2 Fluidix Nex	
<b>Seat D Jets:</b> .....	1 Vortex, 2 Fluidix Intelli-Jet	
<b>Footwell Jets (E):</b> .....	2 Fluidix Intelli-Jet	
<b>Air Blower:</b> .....	High-Efficiency, 1-Speed	
<b>Aromatherapy Delivery:</b> .....	10 Air Injector Jets with Quiet High Speed Air Pump	
<b>Air Controls/Massage Selectors:</b> .....	4/1 (Standard air controls with LED light rings)	
<b>Filter:</b> .....	MICROCLEAN® Ultra Filtration System, 130 ft <sup>2</sup> (2 interlocking cartridge filters)	
<b>Water Treatment:</b> .....	Automatic Brominator and Dynamic Flow Circulation System; Factory installed CLEARRAY® Water Purification System	
<b>Lighting:</b> .....	AquaTerrace Multi-Colored Sunglow LED Lighting System	
<b>Synthetic Cabinet:</b> .....	Available in Coastal, Mahogany and Autumn Walnut	
<b>Shell Colors (Portable Models):</b> .....	North America: Platinum, Sand, Sahara, Celestite, Oyster, Copper Sand, Sea Mist, Monaco, Midnight, Caribbean Surf <b>Export (50 Hz): All North America Colors</b>	
<b>Shell Colors (Inground Models):</b> .....	Sahara, Platinum	
<b>Handrails:</b> .....	One Integral	
<b>ComforTone Headrests:</b> .....	Four 2-Part/2-Tone Gray	
<b>Heater (Portable Models Only):</b> .....	North America (60 Hz): Low Flow 5.5 kW with Titanium Element <b>Export (50 Hz): Low Flow 2.7 kW with Titanium Element</b>	
<b>Electrical Requirements:</b> .....	North America (60 Hz): 240 VAC@40A, 50A or 60A; <b>Export (50 Hz): 230-240 VAC@20A, 30A or 40A; or Suitably Rated Circuit Breaker to Comply with Local Electrical Regulations. Certain Countries May Require 2 Power Inputs; Two GFCI/RCD Breakers are Required for This Configuration.</b>	
<b>Limited Warranty*:</b> .....	North America (60 Hz): 10 Years Shell, 7 Years Shell Surface, 5 Years Plumbing Component Leaks, 5 Years Equipment and Controls, 5 Years Cabinet, 5 Years Jets, 2 Years Lights, 1 Year Stereo <b>Export (50 Hz): 10 Years Shell, 7 Years Shell Surface, 2 Years Plumbing Component Leaks, 2 Years Equipment and Controls, 2 Years Cabinet, 2 Years Jets, 2 Years Lights, 1 Year Stereo</b>	
<b>Waterfall Feature:</b> .....	Adjustable Flow Rate (Portable Models Only); Colored back-lighting	
<b>Special Features:</b> .....	(Portable Models Only) Optional Factory Installed BLUEWAVE™ Spa Stereo System with Wireless Remote Control, Auxiliary 3.5 mm headphone jack connection, USB connection, FM radio, Bluetooth compatible and integrated docking station	
<b>Inground Model:</b> .....	Optional Equipment Pack Required. See Page 24 and 28 for Details.	

\*(See Warranty Document for Specific Details)

Dimensions/Specifications Subject To Change Without Notice

# 2014 Sundance Spas 880 Marin

## Operation/New Features



- (A)** Air Control - Activates Seat A Jets (6 Fluidix Reflex, 2 Pulsator, 2 Fluidix Intelli-Jet)
- (B)** Massage Selector [Pump 2] - Adjusts Massage Level Between Seat A Jets and Seat C Jets
- (C)** Air Control - Activates Seat B Jets (1 Vortex, 1 Fluidix Intelli-Jet, 2 Accu-Pressure) + Footwell Jets (2 Fluidix Intelli-Jet)
- (D)** Air Control - Activates Seat C Jets (2 Fluidix Nex, 10 Fluidix-ST)
- (E)** Waterfall Selector [8-Hour Circ. Pump] - Controls Waterfall Output
- (F)** Air Control - Activates Seat D Jets (1 Vortex, 2 Fluidix Intelli-Jet)
- (G)** Sunscents Dispenser

- Jets Pump 1: Seat B Jets + Seat D Jets + Footwell Jets are always on when this pump is running

- Focus-Relief Jets: Work with both the blower and Jets Pump 2. The blower introduces air to the jet and the Jets Pump forces water through.

### 33 Total Jets



Spa Operation Subject To Change Without Notice

## NEW FOR 2014!



New Color - Caribbean Surf

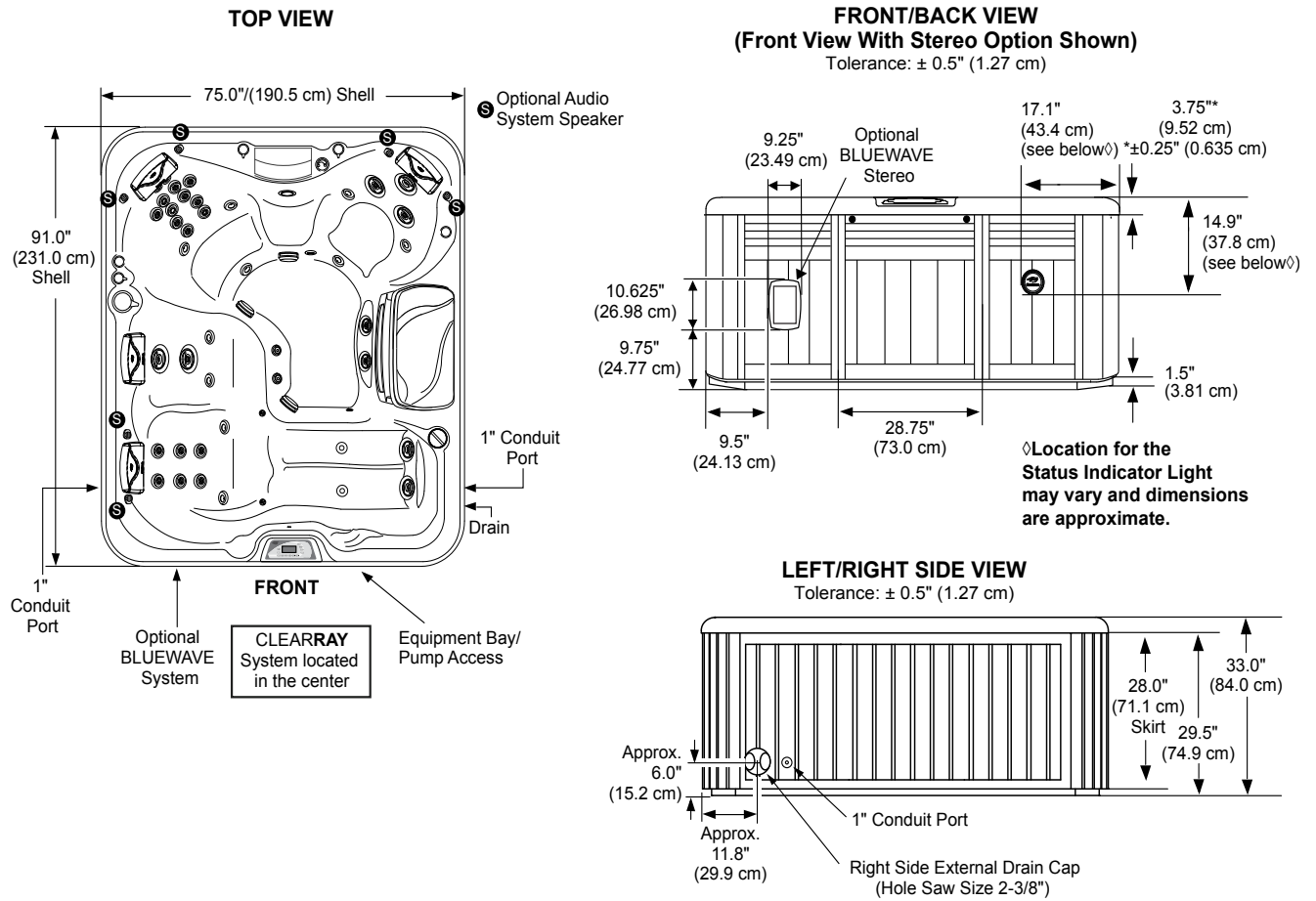


New Color - Midnight

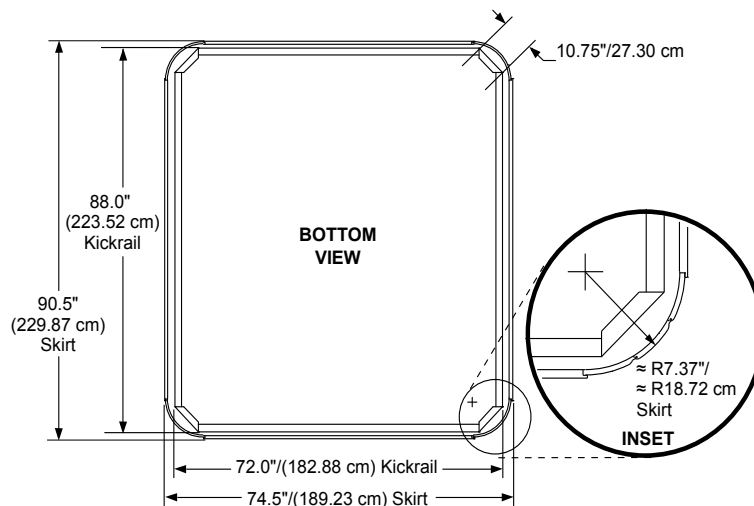
Dimensions/Specifications Subject To Change Without Notice

# 2014 Sundance Spas 880 Marin

## Portable Dimensions



**IMPORTANT! Always measure each hot tub for exact dimensions BEFORE designing its foundational support and/or decking.**



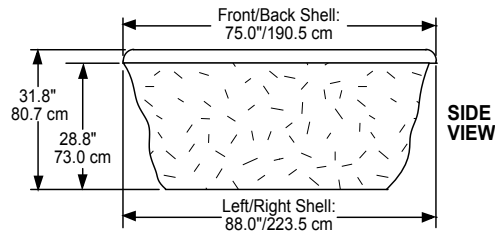
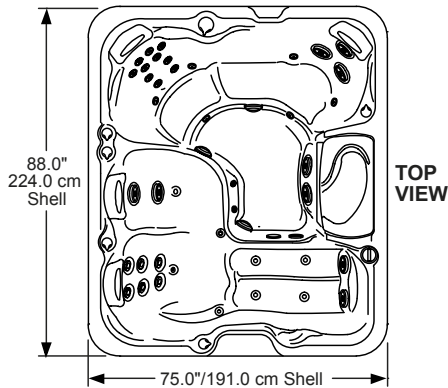
Dimensions/specifications subject to change without notice. Tolerance:  $\pm 0.5"$  (1.27 cm)

Dimensions/Specifications Subject To Change Without Notice

# 2014 Sundance Spas 880 Marin

## Inground Dimensions

**Note: 2004 Shell Used for Marin Inground Models.**



**CAUTION:**

1. Always refer to the Inground Shell Installation Instruction Manual before installing the shell.
2. Always measure each hot tub for exact dimensions **BEFORE** designing its foundational support and/or decking.
3. The foam installation under the shell may extend beyond the shell lip.

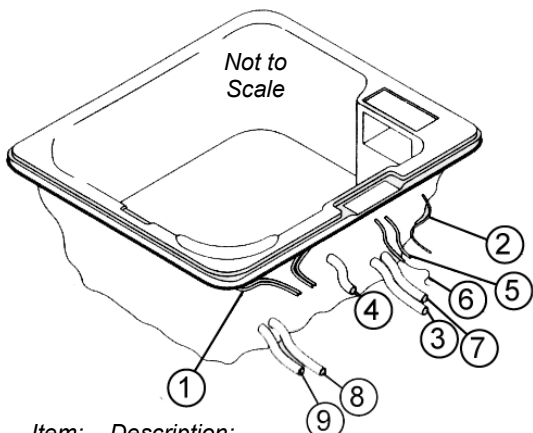
**Note: Inground Equipment Pack Purchased Separately. See Page 28 for Details.**

The following equipment is not available on inground models:

- The Optional Intelli-Sound Stereo System
- The AquaTerrace Waterfall
- The AquaTerrace LED Lighting System
- Circulation Pump
- Jet Types May Vary From Current Portable Models



**IMPORTANT! Always measure each hot tub for exact dimensions BEFORE designing its foundational support and/or decking.**



- | Item: | Description:                            |
|-------|---|
| 1.    | Air Control Intake, 0.5" Pipe           |
| 2.    | Ozone Hookup, 0.375" Pipe, 50'          |
| 3.    | Pump #1 Suction, 2" Pipe (Red)          |
| 4.    | Blower, 2" Pipe (Green)                 |
| 5.    | Light Cord, 50'                         |
| 6.    | Cord, 0.5" Pipe Temperature Sensor, 50' |
| 7.    | Pump #1 Return, 2" Pipe (Blue)          |
| 8.    | Pump #2 Suction, 2" Pipe (Orange)       |
| 9.    | Pump #2 Return, 2" Pipe (Yellow)        |

