


2013 Sundance Spas 680 Hartford

Specifications

Dimensions:	88" x 88" x 36" (223.5 cm x 223.5 cm x 91.5 cm)	
Seating Capacity:	6-7 Adults	
Dry Weight:	741 lbs (336 kg)	
Filled Weight (Spa Volume):	4,828 lbs (2,190 kg)	
Filled Weight (Average Fill):	3,994 lbs (1,811 kg)	
Water Capacity (Spa Volume):	490 US Gal (1,855 Liters)	
Water Capacity (Average Fill):	390 US Gal (1,476 Liters)	
Controls:	Solid-State Electronic Controls with LED Readout, Programmable Water Temperature, Filtration, and Heat Cycles	
Water Delivery:	2 High Flow Pumps	
Pump 1:	North America (60 Hz): 2-Speed/2.5 HP Continuous, 11.0A Max., 56 Frame Export (50 Hz): 2-Speed/2.0 HP continuous, 8.0A max.	
Pump 2:	North America (60 Hz): 1-Speed/2.5 HP Continuous, 10.0A Max., 56 Frame Export (50 Hz): 1-Speed/2.0 HP continuous, 8.0A max.	
Optional Pump 3:	N/A	
Total Hydrojets:	42	
Seat A Jets:	2 DX, 4 DVX	
Seat B Jets:	4 DL	
Seat C Jets:	4 DX, 6 DL, 1 DST (Sidewall)	
Seat D Jets:	4 DL	
Seat E Jets:	2 DX, 4 DVX	
Seat F Jets:	2 DX, 6 DXL	
Seat G Jet:	1 DL	
Footwell Jets (H):	2 DVX	
Air Controls/Massage Selectors:	4/1	
Filter:	Two, 45 ft ² Filter Cartridge System	
Water Treatment:	Factory installed CLEARRAY® Water Purification System	
Lighting:	CL LED Lighting System (Interior Surround, Waterfall and Footwell)	
Synthetic Cabinet:	Available in Coastal, Mahogany, Autumn Walnut	
Shell Colors:	North America: Platinum, Sand, Sahara, Copper Sand, Sea Mist, Celestite, Oyster, Monaco Export (50 Hz): All North America Colors	
Headrests:	Four, 1-Piece Gray	
Heater:	North America (60 Hz): 5.5 kW, 240V High Flow Standard Export (50 Hz): 2.7 kW High Flow Standard	
Electrical Requirements:	240 VAC, 60 Hz@40A, 50A or 60A Export (50 Hz): 230-240 VAC@20A, 30A or 40A; or Suitably Rated Circuit Breaker to Comply with Local Electrical Regulations. Certain Countries May Require 2 Power Inputs; Two GFCI/RCD Breakers are Required for This Configuration.	
Limited Warranty*	North America (60 Hz): 5 Years Shell, 2 Years Shell Surface, 2 Years Equipment and Controls, 2 Years Plumbing Component Leaks, 1 Year Cabinet, 1 Year Jets, 1 Year Stereo Export (50 Hz): 5 Years Shell, 2 Years Shell Surface, 1 Year Plumbing Component Leaks, 1 Year Equipment and Controls, 1 Year Cabinet, 1 Year Jets, 1 Year Stereo	
Waterfall Feature:	Variable Valve Control	
Special Features:	Optional Factory Installed BLUEWAVE™ Spa Stereo System with Wireless Remote Control, Auxiliary 3.5 mm headphone jack connection, USB connection, FM radio, Bluetooth compatible and integrated docking station	

*(See Warranty Document for Specific Details)

Dimensions/Specifications Subject To Change Without Notice

2013 Sundance Spas 680 Hartford

Operation/New Features

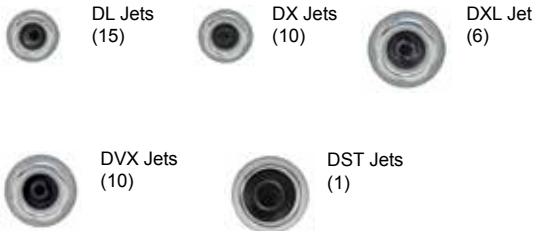


- (A)** Air Control - Activates Seat A Jets (2 DX, 4 DVX)+ Footwell Jets (2 DVX)
- (B)** Massage Selector [Pump 2]- Adjusts Seat A Jets + Seat B Jets and Seat E Jets + Side Wall Jet
- (C)** Air Control - Activates Seat C Jets (4 DX, 6 DL)
- (D)** Air Control - Activates Seat E Jets (2 DX, 4 DVX) + Sidewall Jet (1 DST)
- (E)** Waterfall Selector [Pump 1] - Controls Waterfall Output
- (F)** Air Control - Activates Seat B Jets (4 DL) + Seat D Jets (4 DL) + Seat F Jets (2 DX, 6 DXL) + Seat G Jet (1 DL)

- Jets Pump 1: Powers Seat B Jets + Seat D Jets + Seat F Jets + Seat G Jet + Waterfall when running
- Jets Pump 2: Powers Seat A Jets + Seat B Jets + Side Wall Jet + Seat E Jets + Footwell Jets when running

NOTE: Footwell Jets (2 DVX) are on at all times when jets pump 2 is running

42 Total Jets



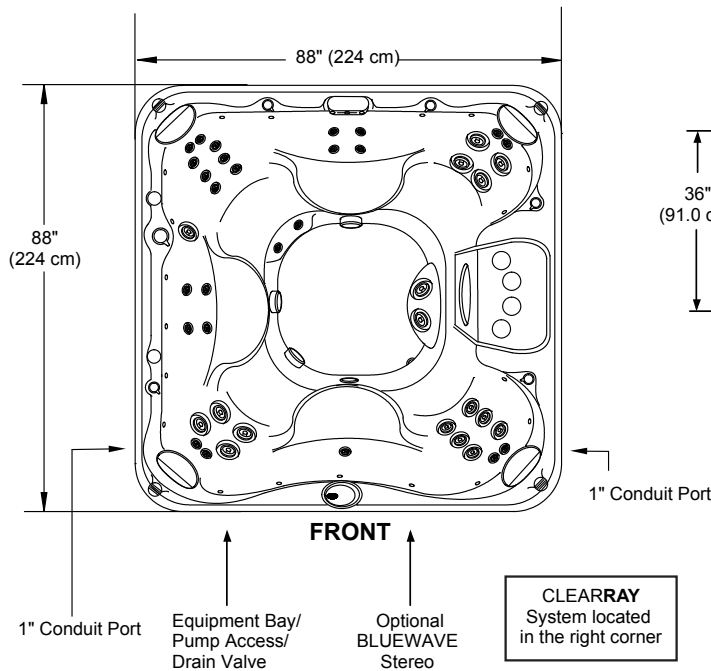
Spa Operation Subject To Change Without Notice

NEW FOR 2014!

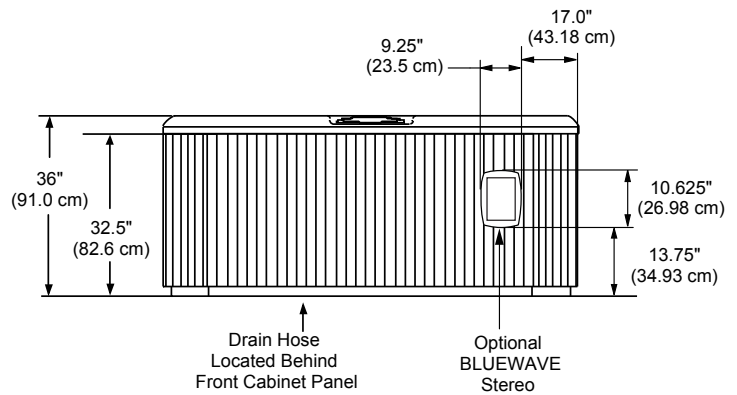
2013 Sundance Spas 680 Hartford

Portable Dimensions

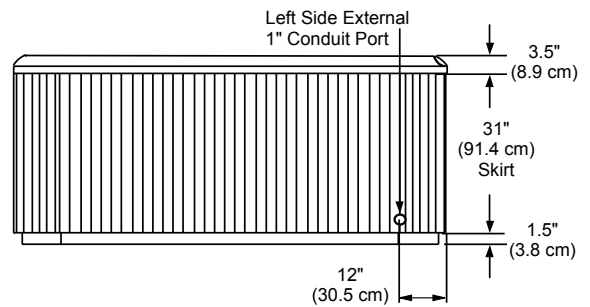
TOP VIEW



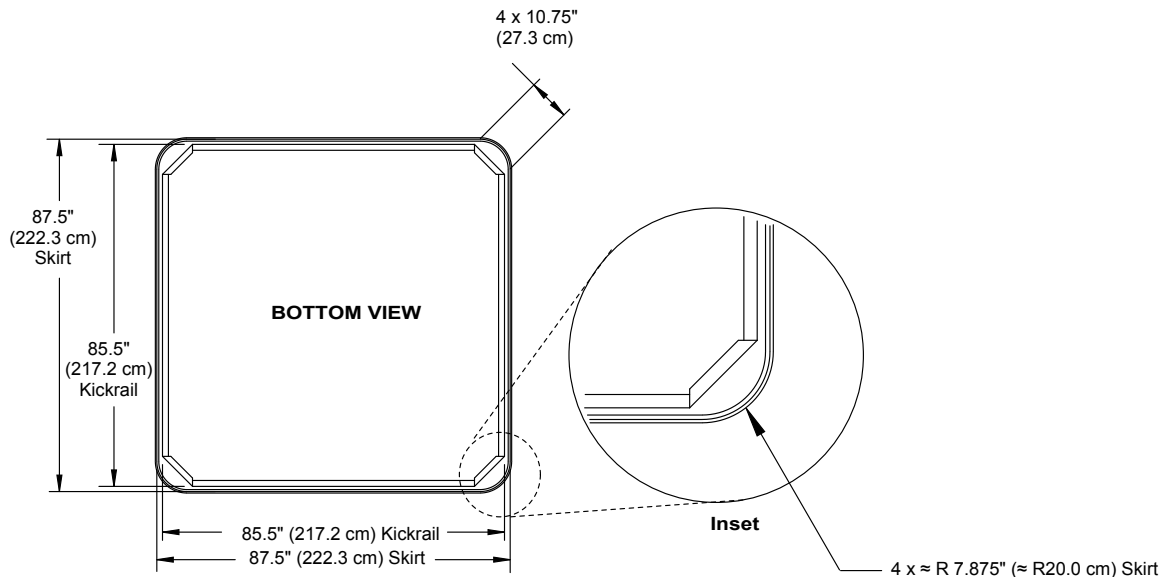
FRONT VIEW
(Front view with stereo option shown)



BACK/SIDE VIEW



IMPORTANT! Always measure each hot tub for exact dimensions BEFORE designing its foundational support and/or decking.



Dimensions/Specifications Subject To Change Without Notice